

BRAINSTORM CORPORATION

No.9, Alley 29, Lane 372, Sec.5,
Chunghsiao E. Road, Taipei, Taiwan , R.O.C.
TEL: 886-2-27224469 , FAX: 886-2-27208775
billykid@ms28.hinet.net

Air Purifier and Humidifier Two in One.
Without filterpads. Water is the filter



Model: BC-60

5 years warranty

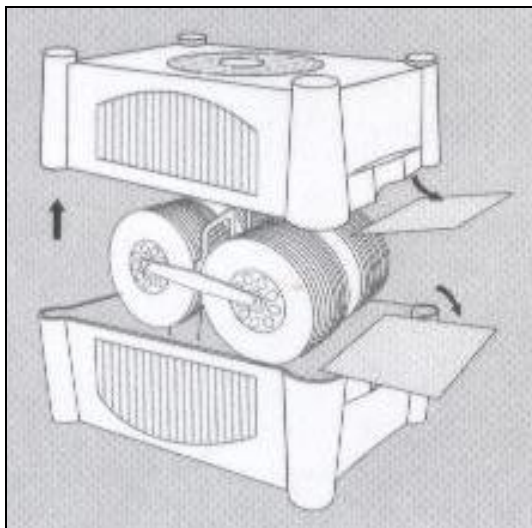
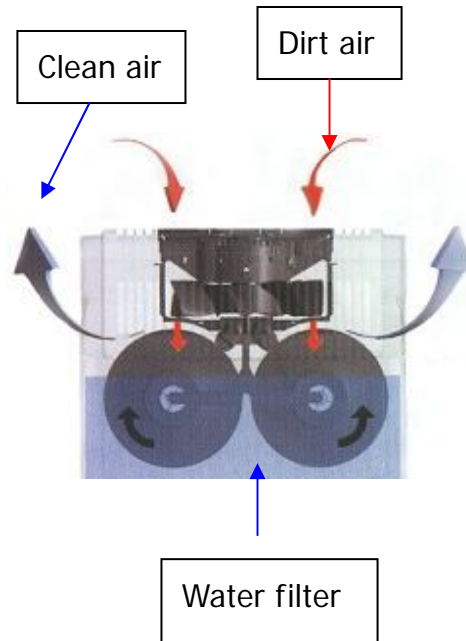
SPECIFICATION:

- **Motor output: 33W**
- **Air throughput: up to 150 cu.ft/minutes**
- **For room up to : 720 sq.ft**
- **Nano-coating self cleaning Disk surface : 45 sq.ft**
- **Unit dimensions: 41 x 31 x 33.5 cm**
- **Weight (empty) : 6 Kgs**
- **Speeds: 2 (Speed one 2,200 RPM, Speed two 3,200 RPM)**
- **Sound level: 37/48 dB.**
- **Tank water capacity: 10 Liters**

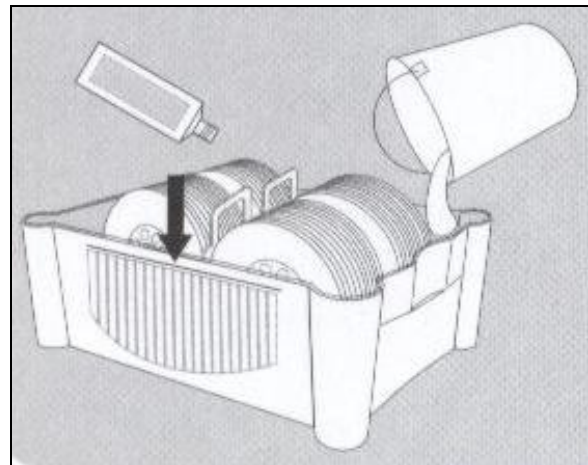
FEATURES:

- **Never change any filter pads, **WATER IS THE FILTER****
- **Very hygienic, very quiet, ideal for use in bed rooms.**
- **Fresh every day , easy maintenance, easy cleaning.**
- **Removing unpleasant odors, such as tobacco smoke are easily eliminated and even pollen.**
- **No bad smells or second pollution from moldy filters.**

- **Dirt and dust particles adhere to the disk stacks and are collected in the lower water tank.**
- **Cold evaporation, automatically humidifies to the correct degree**



72 pcs **Nano-coating** rotary disk to adhere the dust and dirt to pour down the water.



Simply adds water and fragrance.

Color: Black, Gray and White.

20 ft = 500pcs

40 ft = 1037pcs,

40HQ = 1212pcs